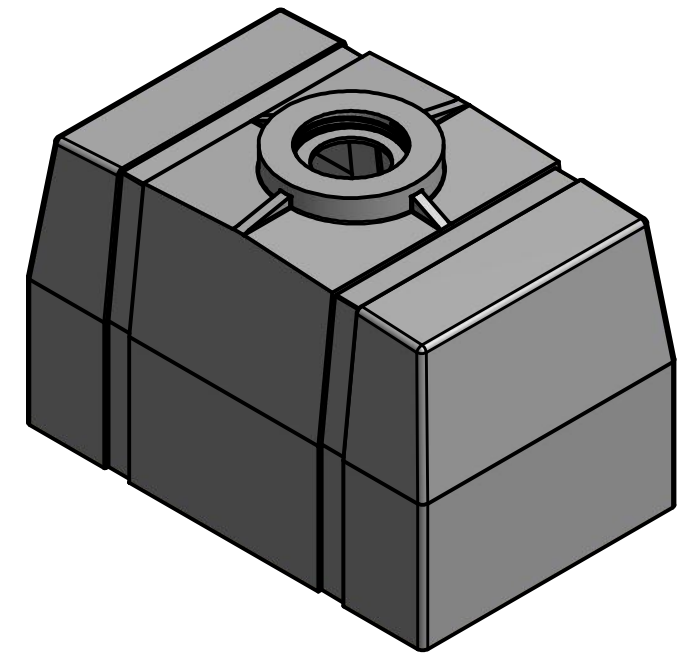
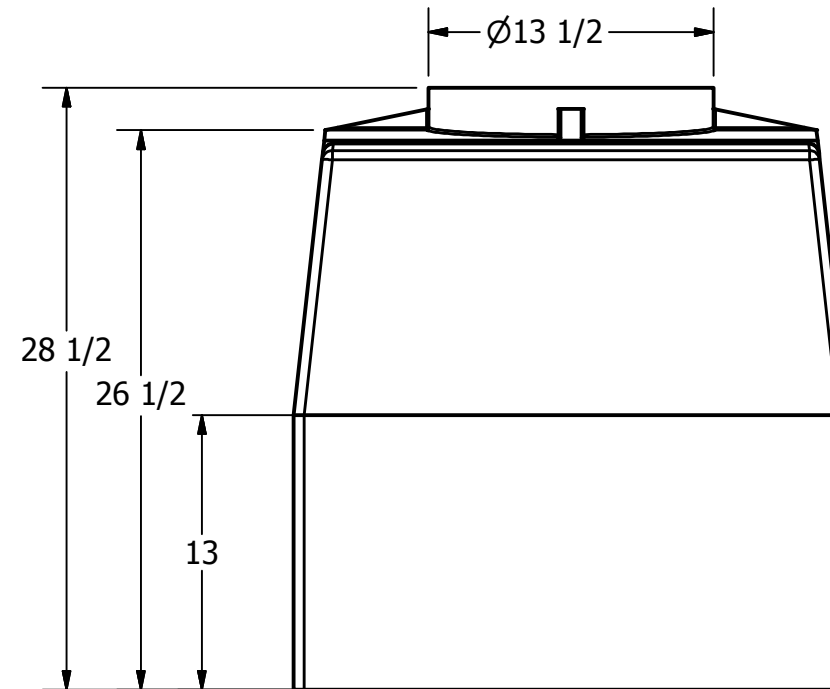
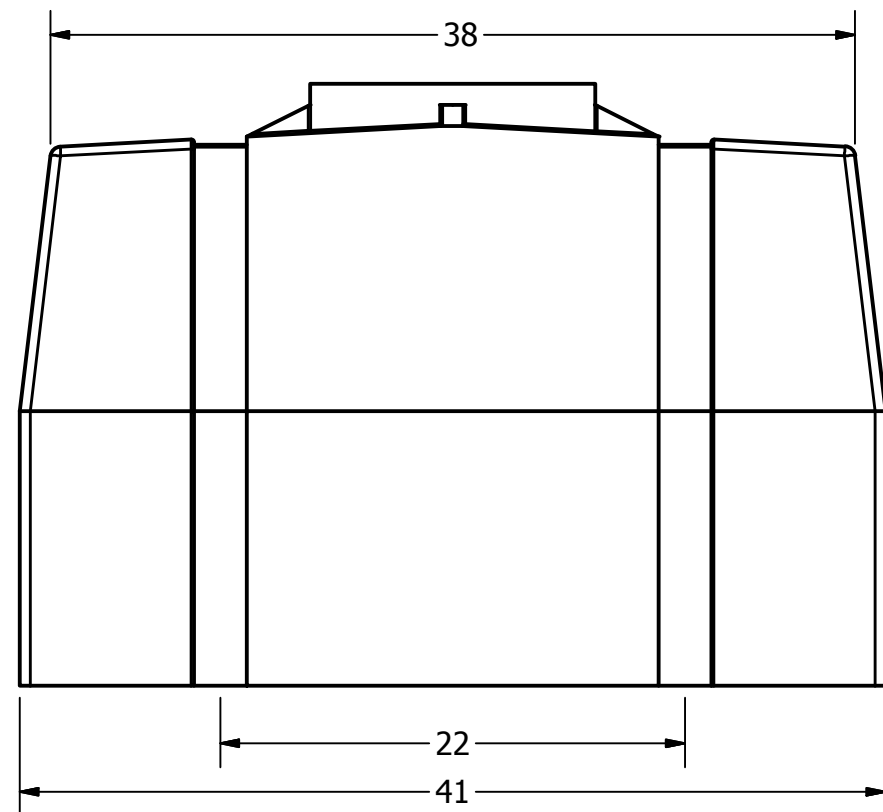



SECTION A-A



DRAWN	7/10/2014	 NORWESCO, INC. SAINT BONIFACIUS, MN	
Liv Oltean			
CHECKED		TITLE	
QA		100 GALLON LOAF TANK	
MFG			
APPROVED			
		SIZE	DWG NO
		B	
		SCALE: 1/16	REV A
		SHEET 1 OF 1	